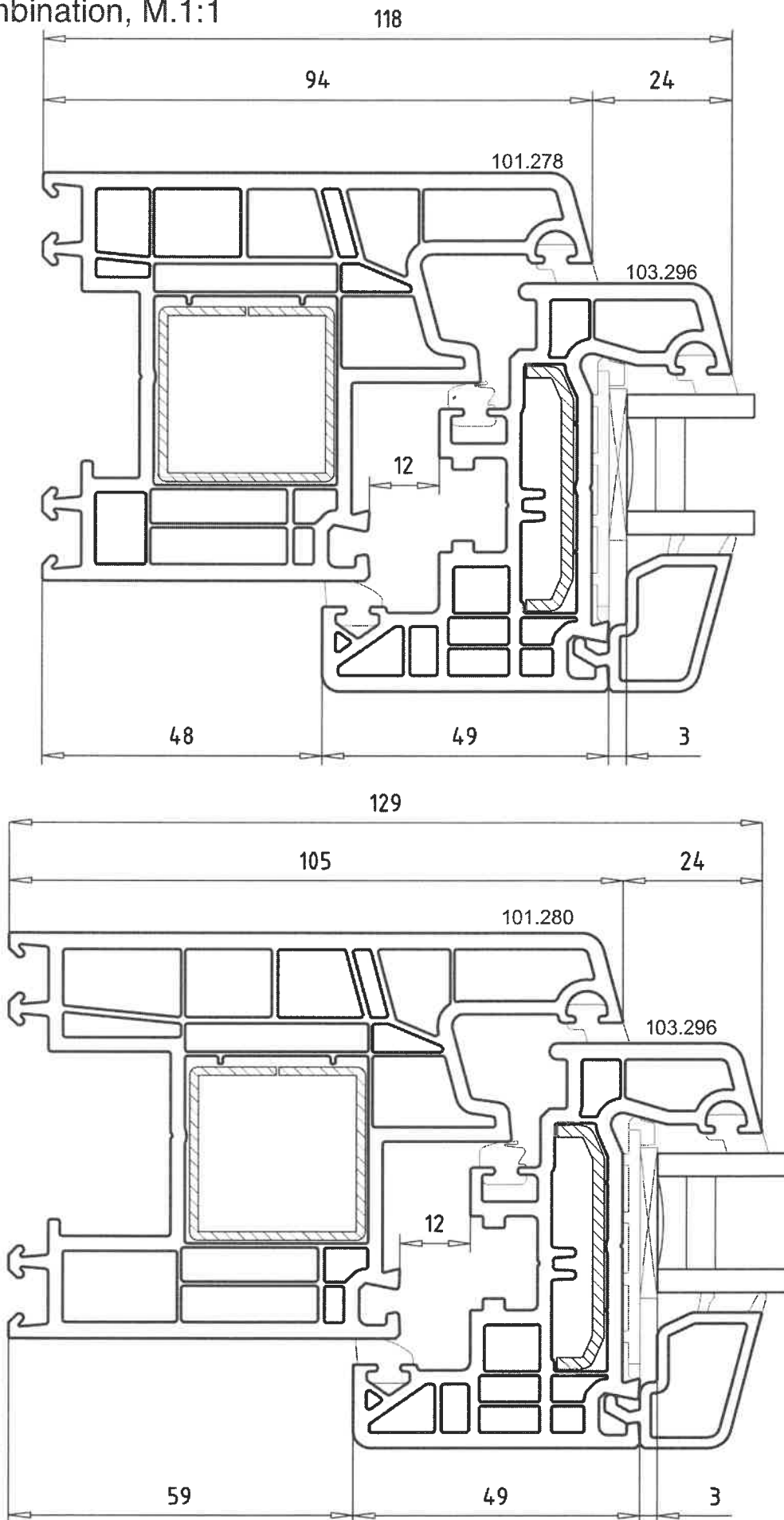


# SOFTLINE 70 MD

Profilkombination, M.1:1



# SOFTLINE 70 MD

Profilkombination, M.1:1

